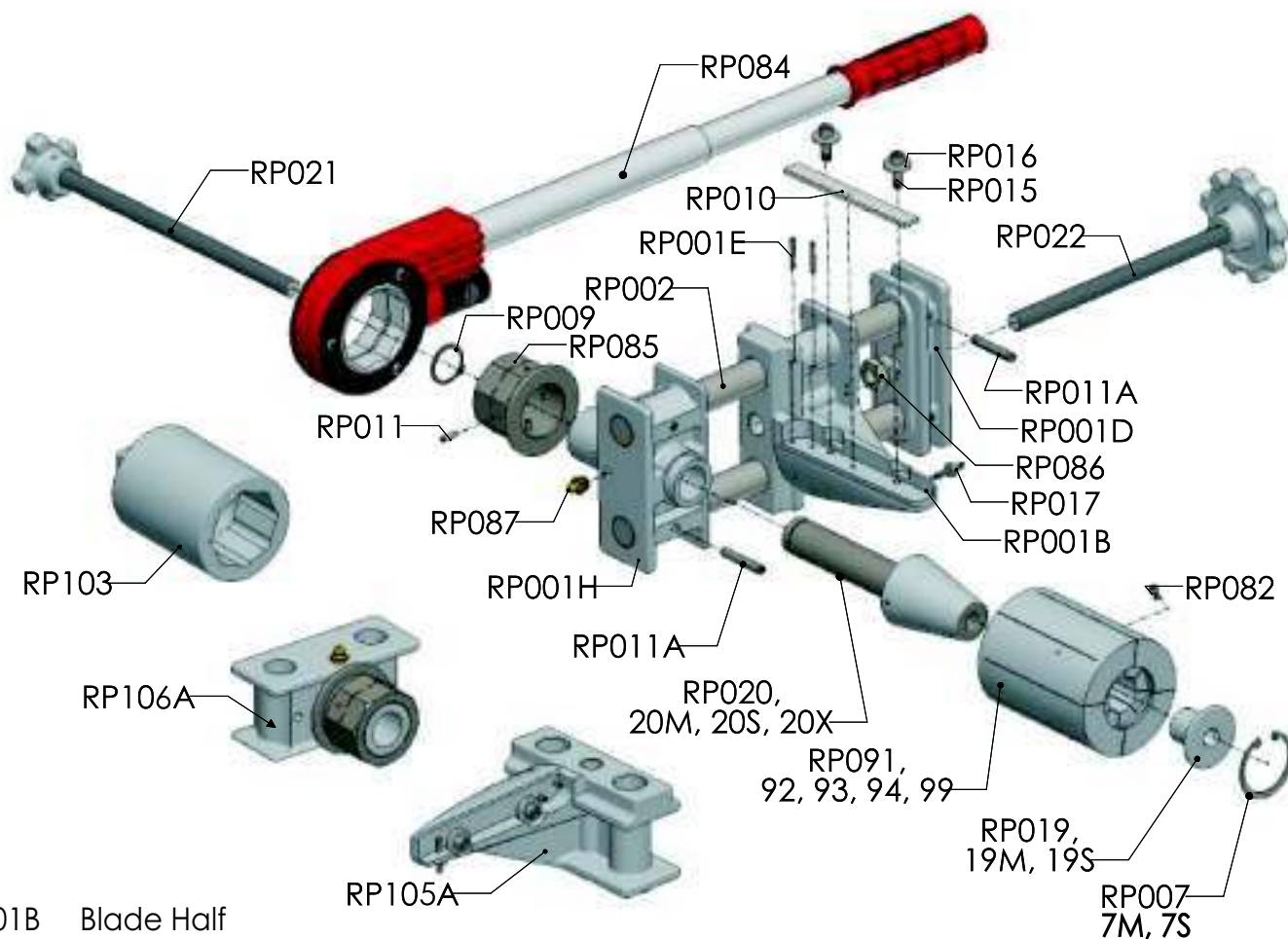


IDEAL SPECIALTY

Since 1945

RATCHET PRO TAPER MAKER FIBERGLASS CHAMFERING TOOL



- | | | | |
|--------|--------------------------------------|--------|---|
| RP001B | Blade Half | RP021 | Draw Bar (Collets) |
| RP001D | Bone Half | RP022 | Control Bar (Set Depth) |
| RP001H | Octagon Half | RP082 | Socket Head Cap Screw (Collet) |
| RP001E | Roll Pin (Blade) | RP084 | Ratchet Handle |
| RP002 | Guide Rod | RP085 | Custom Die Head |
| RP007 | Snap Ring (Collet Adapter) | RP086 | Jam Nut Set (Includes 2 each) |
| RP007M | Snap Ring (Special Collets Medium) | RP087 | Grease Zerk |
| RP007S | Snap Ring (Special Collets Small) | RP091 | Collet (2! Standard) |
| RP009 | Snap Ring (Mandrel) | RP092 | Collet (3! Standard) |
| RP010 | Carbide IV Blade | RP093 | Collet (4! Standard) |
| RP011 | Roll Pin (Custom Die Head) | RP094 | Collet (6! Standard) |
| RP011A | Roll Pin (Guide Rods) | RP099 | Collet (Special Size 0.95 thru 8.975!) |
| RP015 | Socket head cap screw (Blade) | RP103 | Power Drive Adapter |
| RP016 | Custom S.S. Washer | RP105A | Blade Half Assembly(Blade not included) |
| RP017 | Set Screw (Blade) | RP106A | Octagon Half Assembly |
| RP019 | Adapter(Standard Collets) | | |
| RP019M | Adapter(Special Collets Medium) | | |
| RP019S | Adapter(Special Collets Small) | | |
| RP020 | Mandrel(Standard Collets) | | |
| RP020M | Mandrel(Special Collets Medium) | | |
| RP020S | Mandrel(Special Collets Small) | | |
| RP020X | Mandrel(Special Collets Extra Small) | | |

Ideal Specialty
2531 E. Independence St.
Tulsa, OK 74110-5056

www.idealspecialty.com
Phone: (918)834-1657
Fax: (918)834-5338
Email: sales@idealspecialty.com